

CLIP CONNECTOR "HALF-TAIL"

- high quality furniture fittings



CLIP CONNECTOR "HALF-TAIL"

Application:

Half-Tail connector with screw fixing, gives the opportunity for two components to be joined with only one pocket groove. Use plunger router to make a pocket groove in the component to be joined

Material:

POM, Brown

Size:

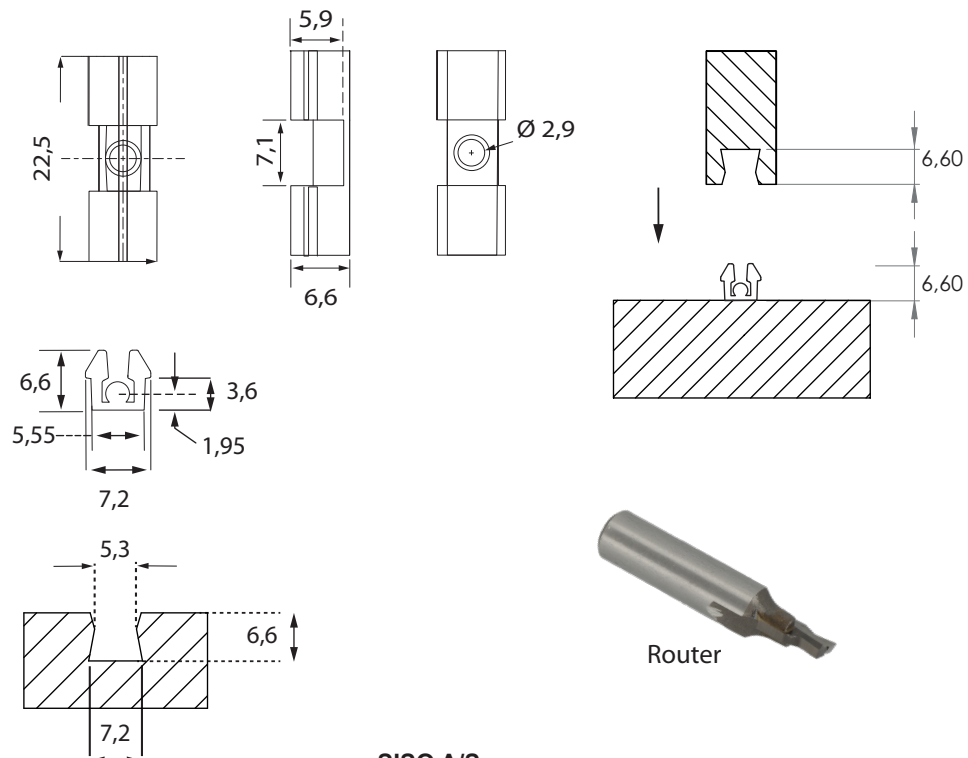
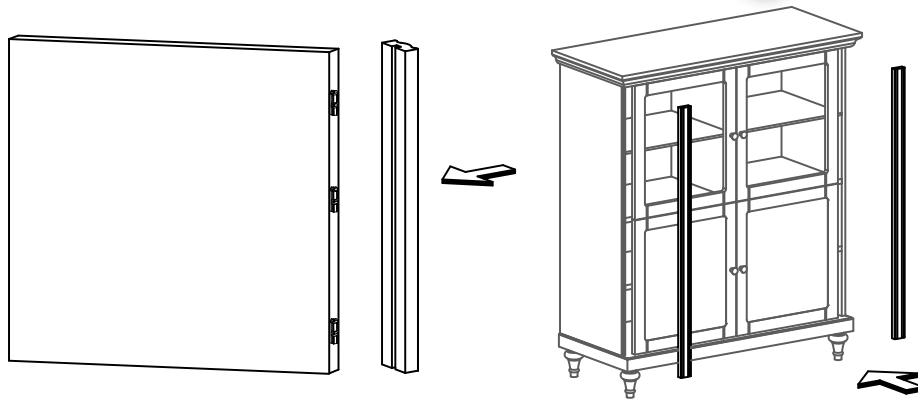
7,2 x 6,6 x 22,5 mm (W/H/L)

Clip Connector:

Item No.: # 11.05.845

Router:

Item No.: # 11.05.841



SISO A/S

Mileparken 11 Phone: (+45) 45 830 900
 DK - 2740 Skovlunde (Copenhagen) E-mail: siso@siso.dk
 Denmark Web: www.siso.dk